

PixelPro Network Camera 5 Megapixel Dome Series



GANZ **PixelPro**

Features:


- Deep Learning based AI capable
(Human detection built in/ Other AI features options)
- Fine tuned ISP (Image Signal Processor)
- H.265 Multiple profile streaming support
- Various bitrate control: CBR/ VBR/ VBR+
- Aluminum Die-casting vandal proof with IP67
- Plug & Play with PixelMaster NVR
- ONVIF profile S support

AI Features

- People detector
- Object detector and tracking
- Extensible AI functions per license

GANZ® SPECIFICATIONS

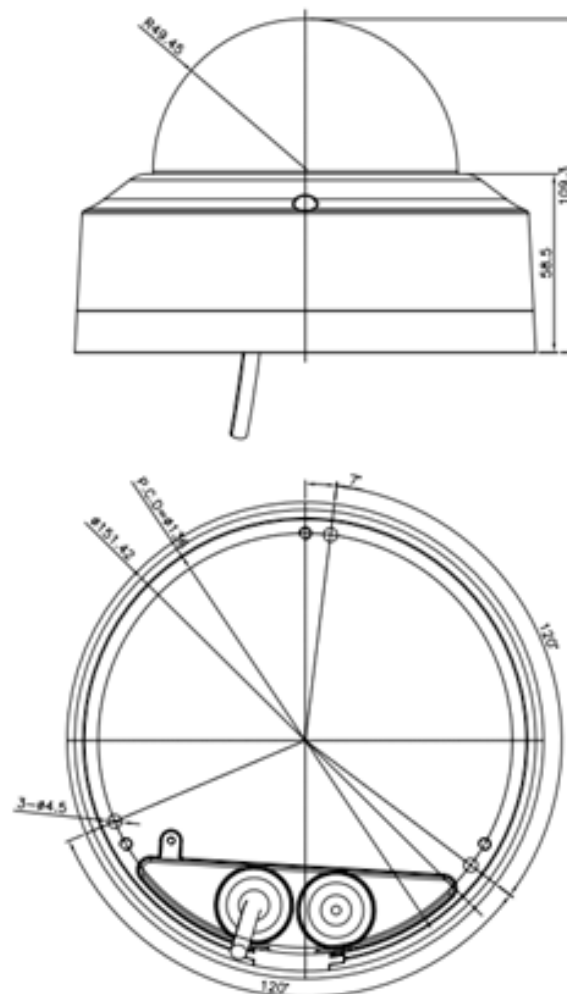
SPECIFICATION

Model	ZNP-VD5F28DL-A
	
Image sensor	1/2.8" CMOS Progressive scan
Effective pixel	2592x1944
Min. Illumination	Color: 0.003 Lux @ (F1.6, AGC ON)
Electronic Shutter	Auto/Manual, 1/4 ~ 1/10000s
IR distance	Adaptive IR, 20m
Day & Night	Auto (ICR) / Color / B/W / Schedule
Pan / Tilt / Rotation	353° / 70° / 176°
Focal Length / Focus	2.8mm / Fix
Aperture	F1.6
Iris	Fixed Iris
Compression	H.264 / H.265 / MJPEG
Resolution	Main Stream: 2592x1944, 2592x1520, 2304x1296, 2048x1536, 1920x1080, 1280x1024, 1024x768, 1280x720, 704x576, 704x480, 640x480, 640x360, 352x288, 352x240 Second/Third Stream : 640x480, 640x360, 352x288, 352x240
Max. Resolution / Framerate	2592x1944 25fps
Bitrate	Main Stream : 512 ~ 15000 kbps Second Stream : 512 ~ 8000 kbps Third Stream : 512 ~ 8000 kbps
Bitrate option	
BLC	Yes
3DNR	Yes
WDR	Yes, TWDR(120dB)
Audio compression	G.711
Network	10/100Mbps
Protocol	IPv4, IPv6, IGMP, ICMP, ARP, TCP, UDP, DHCP, RTP, RTSP, RTCP, DNS, DDNS, NTP, SMTP, FTP, UPnP, HTTP, HTTPS, SSL/TLS
Compatibility	ONVIF (Profile S), CGI
Management software	DMS
Alarm In/Out	1 / 1
Audio In/Out	1 / 1
Storage	microSD
Motion detection	Yes, 4 Zones (Rectangle)
ROI	Auto / Manual (8 Zonee)
Flip horizontal / vertikal	Yes
Private zone masking	Yes, 4 Zones (Polygon)

SPECIFICATION

Model	ZNP-MB5F28D-A
Power supply	PoE / DC12V
Power consumption	TBD
Operating conditions	-20°C ~ 50°C / 0%~90%
Ingress Protection	IP67
Vandal Resistance	-
Dimensions	ø66.0mm x 209mm
Net weight	550g
Gross weight	700g

DIMENSIONS (unit:mm)



Licence Overview

License	Prerequisite	Description
ZNS-AI-A00	Included	Algorithm optimized for the differentiation of persons and objects
ZNS-AI-A01	Included	Object tracking
ZNS-AI-A05	-	Vehicle recognition and differentiation of cars, buses, trucks, bicycles, motorcycles
ZNS-AI-A06	-	Identification of animals, refined by deep learning
ZNS-AI-A09	-	Fire detector
ZNS-AI-A11	-	Detection of persons without / with safety vest
ZNS-AI-B00	-	Evaluate and send events
ZNS-AI-B01	-	Pixelation of persons
ZNS-AI-C00	-	Vehicle number plate recognition
ZNS-AI-D00	-	Recognising people who have fallen
ZNS-AI-D01	-	Behavioural recognition "violence"
ZNS-AI-D02	-	Remote object detection
ZNS-AI-D03	-	Detection for appearing object



Click here for Videos and further Information

COMPATIBLE WITH:



ACCESSORY

Model	ZA-JCB-S2M25	ZA-SRC
Type	Junction Box	Sun-/Rain Cover



Subject to technical changes and errors. 032022v1.0

CBC (Europe) GmbH
Fritz-Vomfelde-Str. 6
D-40547 Düsseldorf
T: +49-(0)211 53 06 70
F: +49-(0)211 53 06 71 80
info@cbc-europe.com
www.cbc-europe.com

CBC (Poland) Sp.z.o.o
Oddział w Warszawie
ul. Anny German 12
PL-01-794 Warsaw
T: +48-(0)22 6 33 90 90
F: +48-(0)22 6 33 90 60
info@cbcpoland.pl
www.cbcpoland.pl

CBC Russia Moscow Rep. office
Office 503B World Trade Center
12 Krasnopresnenskaya nab.
RU-123610 Moscow
T: +7-495 258 2161
F: +7-495 258 2160
info@cbc.ru
www.cbc.ru

CBC EUROPE S.r.l.
Via Umberto I, 69
I-20814 - VAREDO (MB)
T: +39-0362 36 50 79
F: +39-0362 4 00 12
info@cbceurope.it
www.cbceurope.it

CBC (EUROPE) GmbH UK Branch
Churchill House, Suite 81
137-139 Brent Street
London NW4 4DJ UK
T: +44-(0)20 8457 2618
info@cbcuk.com
www.cbc-europe.com